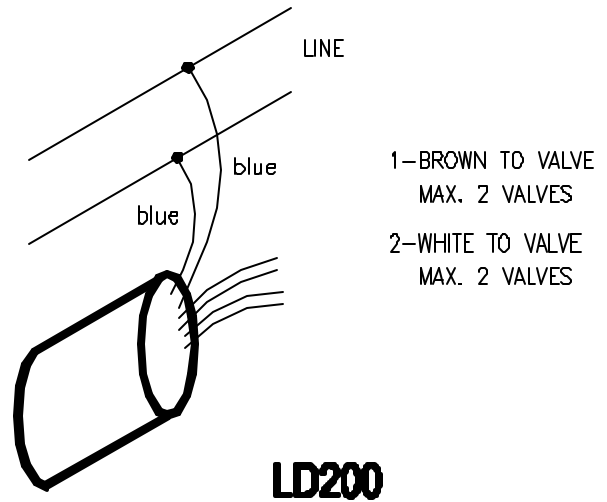
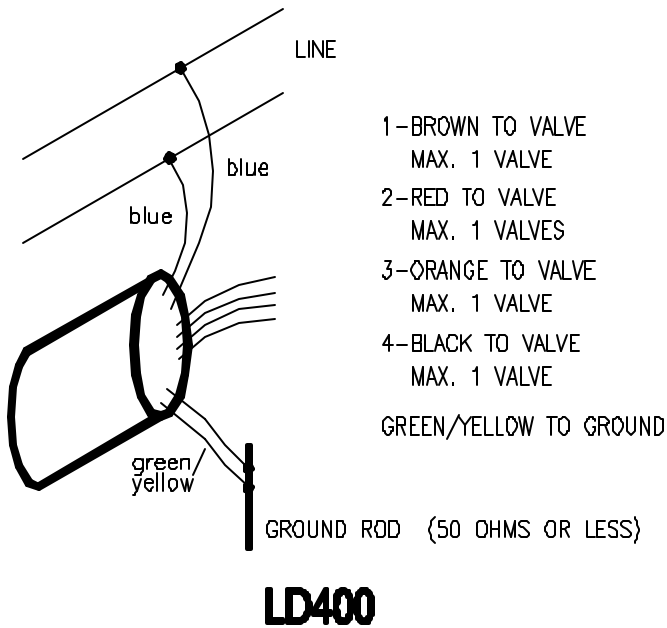


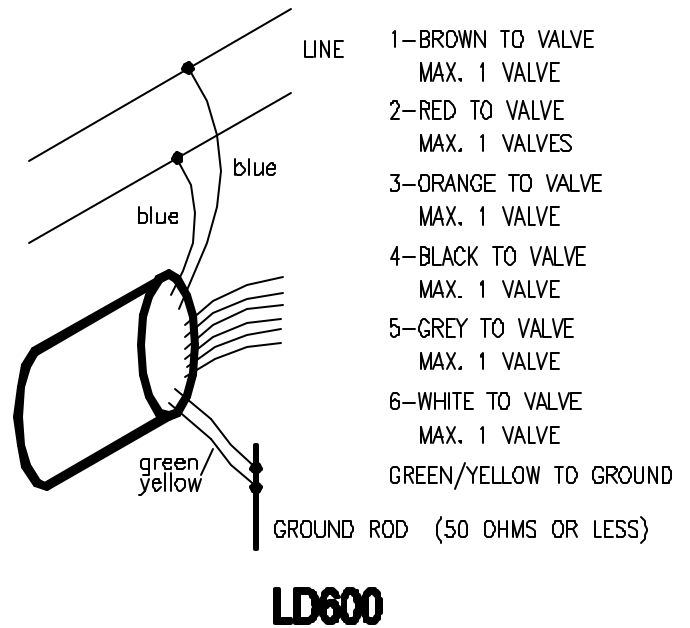
1-WHITE TO VALVE  
MAX. 2 VALVES



1-BROWN TO VALVE  
MAX. 2 VALVES  
2-WHITE TO VALVE  
MAX. 2 VALVES



1-BROWN TO VALVE  
MAX. 1 VALVE  
2-RED TO VALVE  
MAX. 1 VALVES  
3-ORANGE TO VALVE  
MAX. 1 VALVE  
4-BLACK TO VALVE  
MAX. 1 VALVE  
GREEN/YELLOW TO GROUND



1-BROWN TO VALVE  
MAX. 1 VALVE  
2-RED TO VALVE  
MAX. 1 VALVES  
3-ORANGE TO VALVE  
MAX. 1 VALVE  
4-BLACK TO VALVE  
MAX. 1 VALVE  
5-GREY TO VALVE  
MAX. 1 VALVE  
6-WHITE TO VALVE  
MAX. 1 VALVE  
GREEN/YELLOW TO GROUND

THE LD100 AND LD200 CAN OPERATE TWO VALVES PER OUT PUT

THE LD400 AND LD600 CAN OPERATE ONE VALVE PER OUT PUT

**flow master**

**Connecting a Decoder**